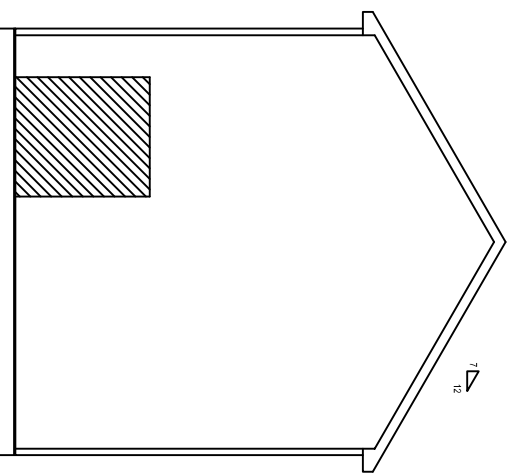
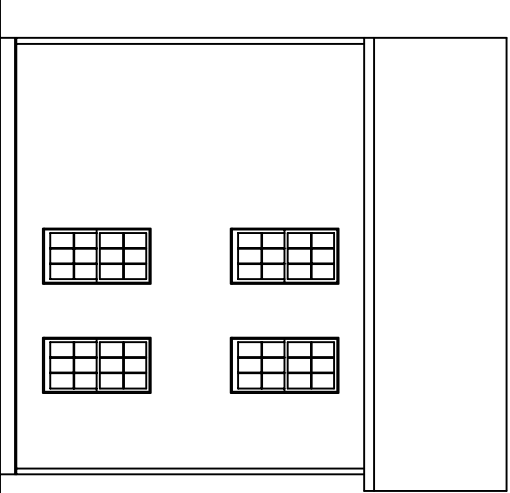


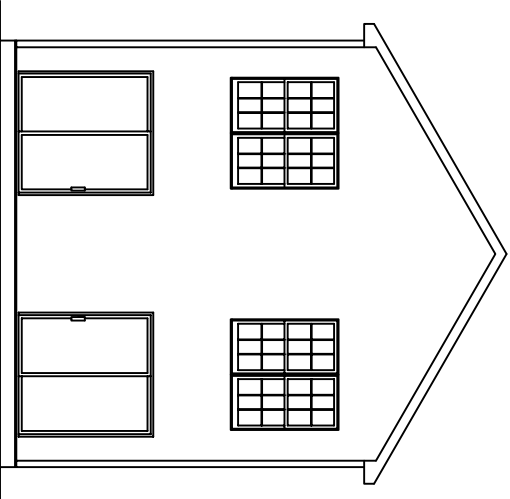
FRONT VIEW



RIGHT VIEW



REAR VIEW



LEFT VIEW

WINDOW GRIDS:  
 OPTIONAL - HERITAGE SPECS  
 STANDARD - INTEGRA SPECS

Integrity Building Systems, Inc.

DEALER:  
 CUSTOMER:

DATE:  
 DRAWN BY: CKS

MODEL:

Scale: 1/4" = 1'-0"

CONTROL NUMBER  
 C-456909

ELEVATIONS

Revised By	Description	Date
A	SPR	00/00/00
B		
C		
E		
F		
G		
H		

PRELIMINARY